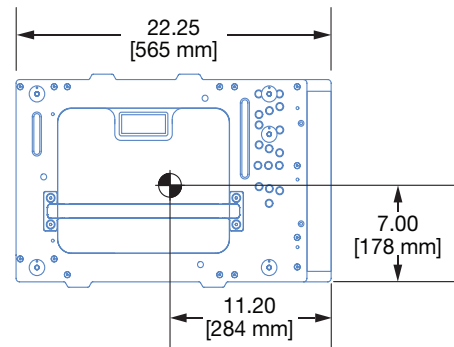
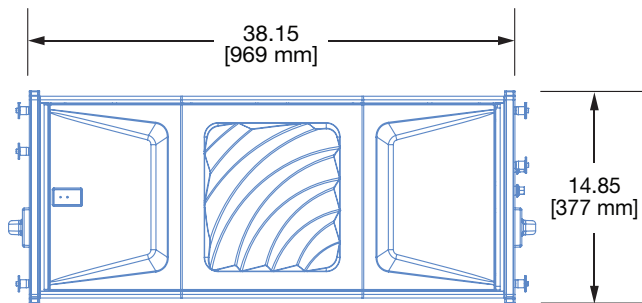
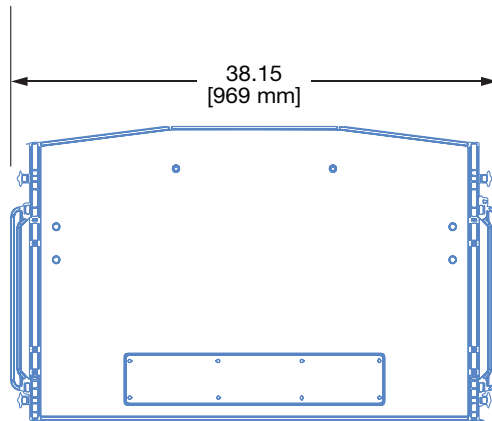


PANTHER 线阵列扬声器



声学参数	PANTHER-L	PANTHER-M	PANTHER-W
工作频率范围	55 Hz – 16 kHz		
最大声压级 ¹	>150 dB	>150 dB	>150 dB
线性声压级, 峰值 ²	146 dB (M-noise)	146 dB (M-noise)	146 dB (M-noise)
覆盖范围			
水平覆盖	80°	95°	110°
物理参数			
重量	150 lb, ±3 lb (68.04 kg, ±1.36 kg)		
箱体	高级多层桦木, 略带纹理的黑色饰面		
防护格栅	粉末涂层的冲压钢, 黑色隔音网		
吊挂件	顶部框架带有固定的GuideALinks, 用0.4375英寸x0.090英寸的插销, 允许0.5°-9°的伸展角度; 可拆卸的侧把手		
IEC Ingress Protection Rating (IP 等级)	55		
交流电源			
接插件	Neutrik powerCON TRUE1 TOP (True Outdoor Protection)		
工作电压范围	200 – 240 V AC, 50 or 60 Hz		
功率消耗			
最大长时间连续功率 (>10秒)	1100 W		
瞬时功率 (<1秒)	2200 W		

模拟音频输入³	
接插件	Neutrik XLR 3-pin TOP (True Outdoor Protection) 母头输入，公头回路输出
数字音频输入³	
接插件	Neutrik etherCON TOP (True Outdoor Protection)
数字格式	Milan 认证
监测	
	扬声器的遥测数据通过以太网端口传输，在软件中显示
单元	
低频单元	两个12英寸长外振膜驱动器；4Ω额定阻抗
高频单元	两个3英寸膜片压缩驱动器与一个喇叭耦合；8Ω额定阻抗

NOTES

- Maximum Sound Level is the L_{peak} measured using burst noise.
- Linear Sound Levels are measured in free-field at 4 m with a Class 2 sound level meter in accordance with IEC 61672 and ANSI S1.4. Values are scaled to 1 m distance from the loudspeaker when the loudspeaker is reproducing M-noise with less than 2 dB of compression for at least 1-hour, 40-degree C ambient temperature.

M-noise is a full bandwidth, (10 Hz – 22.5 kHz) test signal developed by Meyer Sound to better measure the loudspeaker’s music performance. It has a constant instantaneous peak level in octave bands, a crest factor that increases with frequency, and a full bandwidth Peak to RMS ratio of 18 dB.
- Both analog and digital audio inputs are provided as standard.